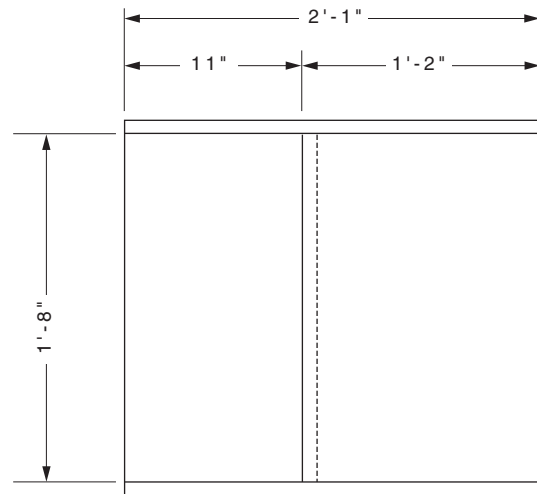
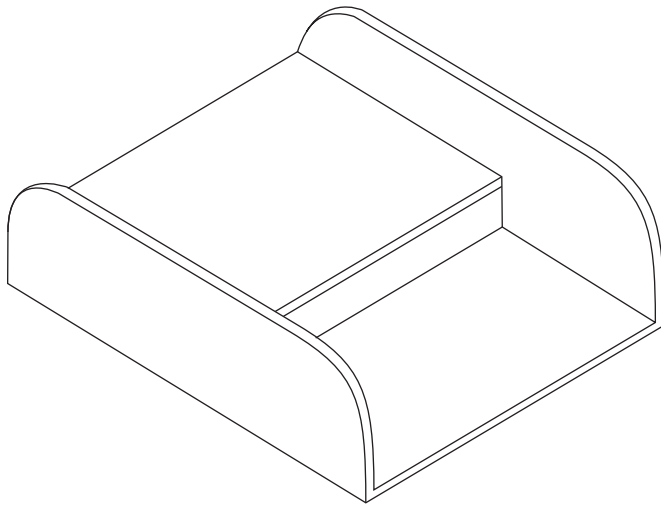


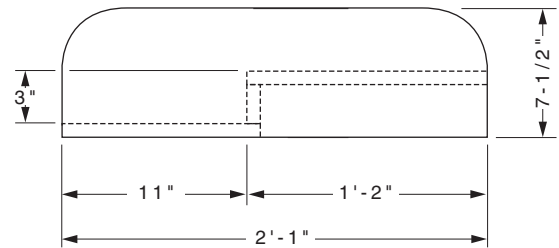
END VIEW



TOP VIEW



ISOMETRIC VIEW



SIDE VIEW

NOTE:

FINISHED UNIT SHOULD BE PAINTED WITH PAINT APPROVED FOR USE IN CONTACT WITH FOOD.

SUPER DUMPING BOARD

SCALE ' NONE

COOPERATIVE EXTENSION WORK IN AGRICULTURE AND HOME ECONOMICS		
AND UNITED STATES DEPARTMENT OF AGRICULTURE COOPERATING		
SUPER DUMPING BOARD		
USDA ' 80	EX. 6325	SHEET 1 OF 1